

Fitting instruction **Audi A6 2009 ➤**

Body
Load guard with space separator Edition 11.08

Contents

1	Notes	1
1.1	General notes	1
1.2	Special notes on using the load guard.	2
2	Parts overview	3
2.1	Parts overview for load guard	3
2.2	Parts overview for space separator	4
3	Fitting the load guard	5
4	Fitting the space separator	7

1 Notes

1.1 General notes

Please read and take note of these WARNING, Caution and Note descriptions before carrying out maintenance or repair work.



WARNING!

- ◆ *Text with this symbol contains information concerning your safety and how you can reduce the risk of serious and fatal injuries.*
- ◆ *Pay special attention to the WARNING symbol. Ensure that you read this text thoroughly.*



Caution!

- ◆ *Text with this symbol contains information on how to avoid vehicle damage.*
- ◆ *A Caution symbol indicates that failure to follow information can lead to vehicle damage.*



Note

- ◆ *Text with this symbol contains additional useful information.*
- ◆ *A Note symbol also contains special and additional notes on repair measures and associated information.*

Audi AG shall not accept responsibility in the event of failure to comply with these assembly instructions.



1.2 Special notes on using the load guard.



WARNING!

It is forbidden to transport people behind the load guard.



Note

- ◆ *Improper installation can cause damage to the vehicle or the load guard.*
- ◆ *We reserve the right to make technical changes.*
- ◆ *Check all screws after a short journey and at regular intervals and tighten if necessary.*
- ◆ *Do not tighten too tight or the covering may be damaged.*
- ◆ *When transporting animals/dogs behind the load guard, clean the surfaces of the load guard regularly, as dog saliva, for example, could damage the surface coating of the load guard.*

Through-loading long loads

When transporting long objects (e.g. skis), the load-through hatch can be opened to the rear.

- To open the load-through hatch, fold the backrests forward (⇒ vehicle Owner's Manual) and unscrew both star grip screws on the hatch.
- Open the load-through hatch.
- Once the rear seat backrests have been returned to their original position, ensure that the load guard does not rub on the backrest.

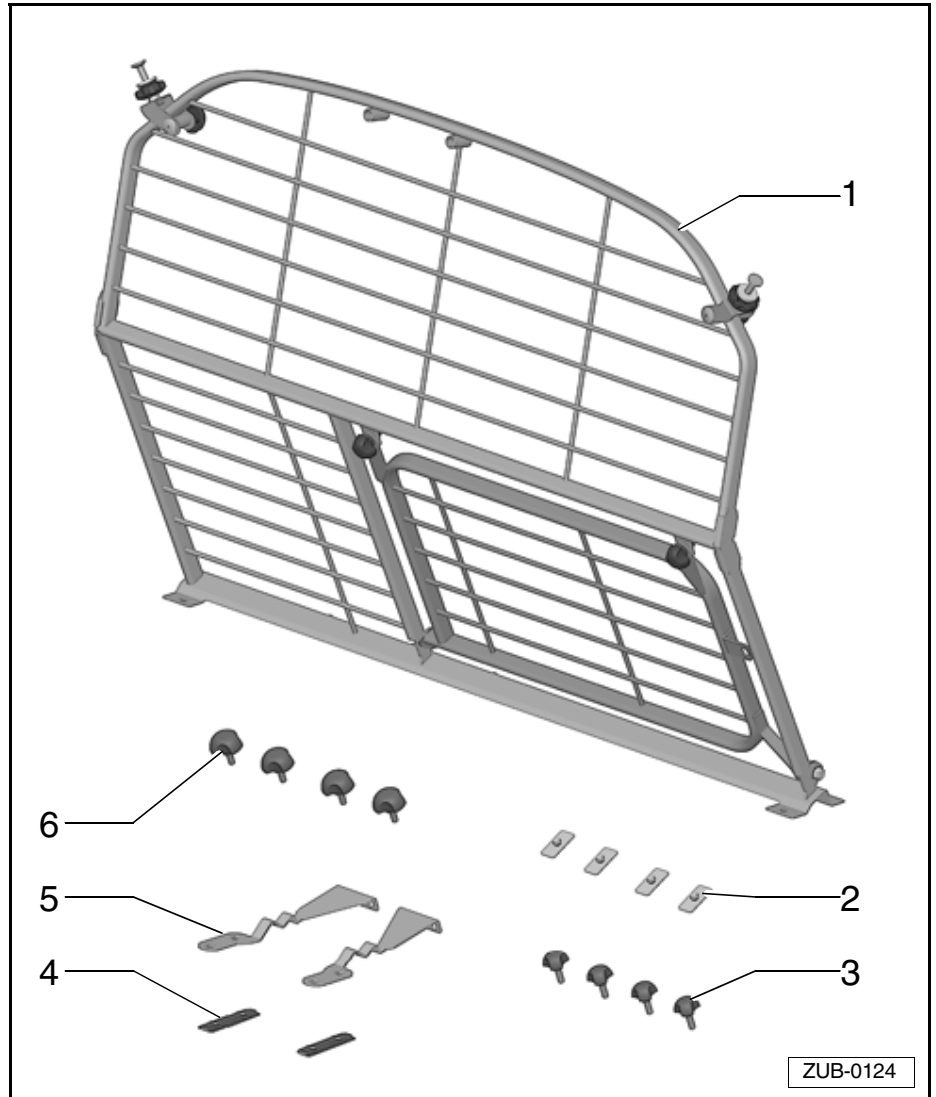
2 Parts overview

2.1 Parts overview for load guard

Load guard assembly set -4F0 017 222-

Comprising:

- 1 - Load guard
- 2 - Protective contact (4x)
- 3 - 20 mm star grip screw (small head – 4x)
- 4 - Counterhold tool (2x)
- 5 - Retainer (2x)
 - Labelled left (L) and right (R)
- 6 - 20 mm star grip screw (large head – 4x)

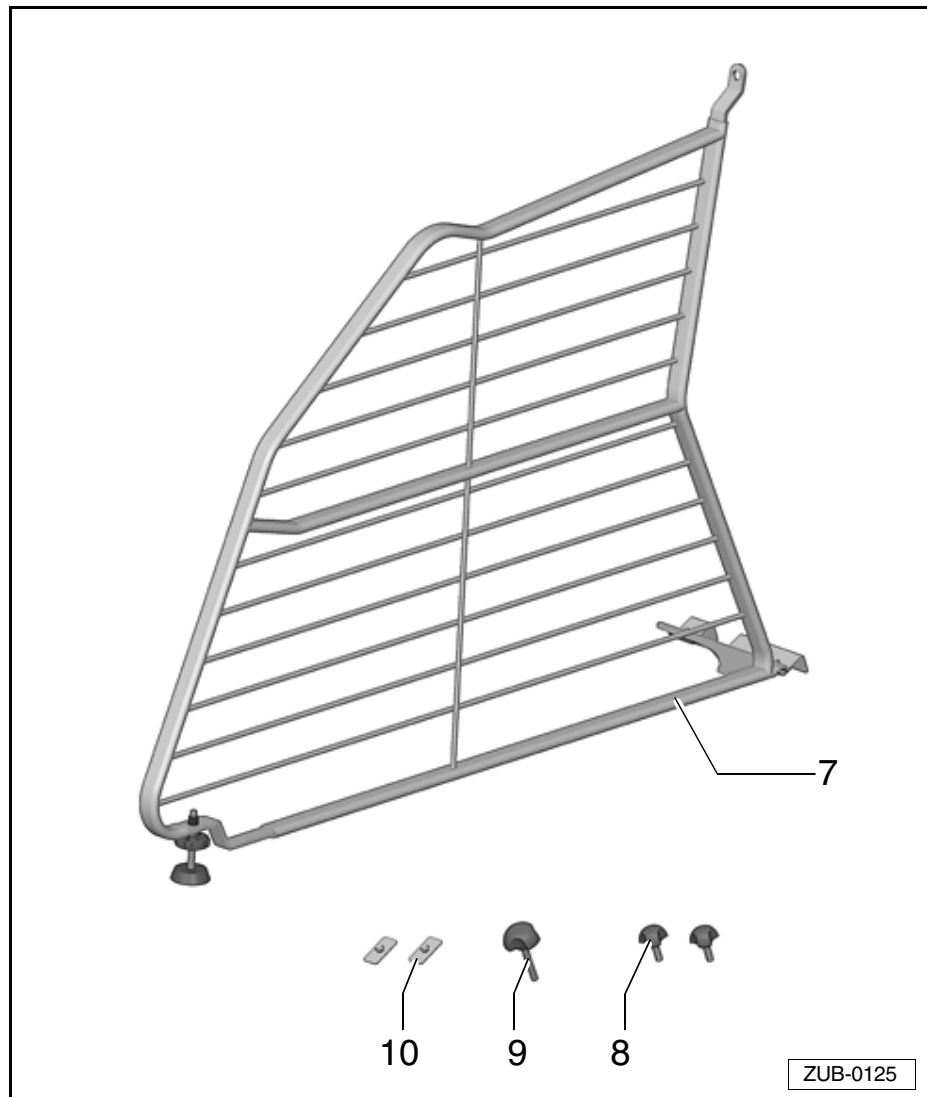


2.2 Parts overview for space separator

Space separator assembly set -4F0 017 222 A-

Comprising:

- 7 - Space separator
- 8 - 20 mm star grip screw
(small head – 2x)
- 9 - 40 mm star grip screw
(large head)
- 10 - Protective contact (2x)

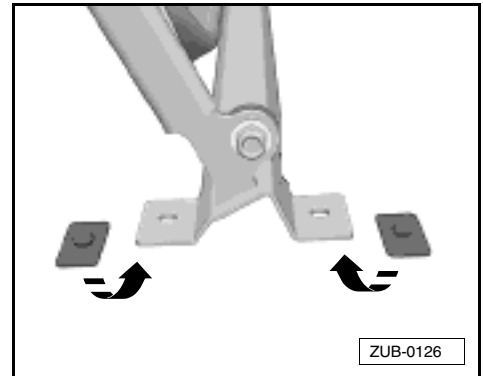


3 Fitting the load guard

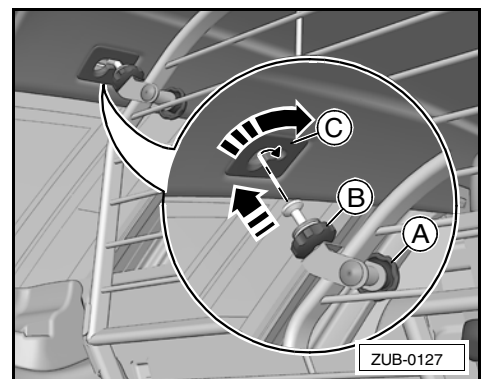
 **Note**

When the load guard is installed, the net partition and luggage compartment cover cannot be used.

- Check that the assembly set is complete.
- Remove net partition if one is installed.
- Remove luggage compartment cover and fold down rear backrests.
- Insert the protective contacts -2- into the holes on both sides of the load guard -1- from underneath.
- Insert the load guard – tilted slightly – carefully through the luggage compartment and position roughly in the installation position.



- Loosen the screws -A- by one turn.
- Attach the upper catches -B- to the lifting eyes -C- and move them up slightly in the direction of travel -arrows-.
- Slightly tighten the upper catches -B-.
- Align the load guard centrally.

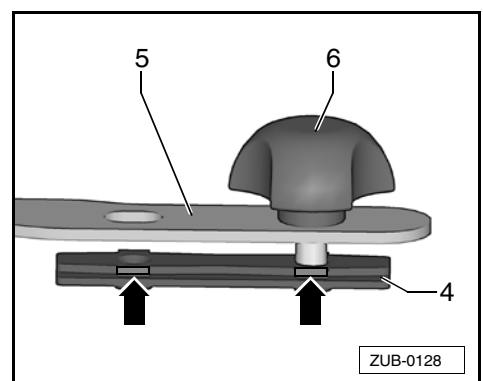


- Loosely screw together the retainer -5- and counterhold tool -4- as shown, using only one star grip screw (large head) -6- for each of them.

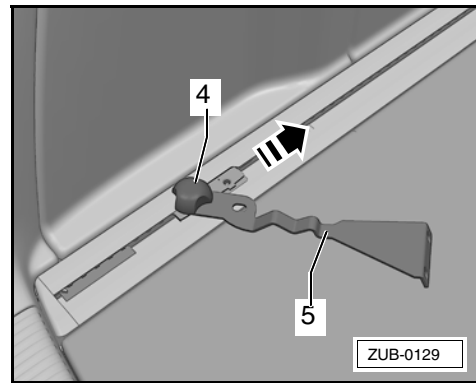
 **Note**

Ensure that the cut outs and guides -arrow- on the counterhold tool -4- point towards the retainer -5- (narrow side up).

- Pull back all fastening rings along the opening in the centre of the rail.

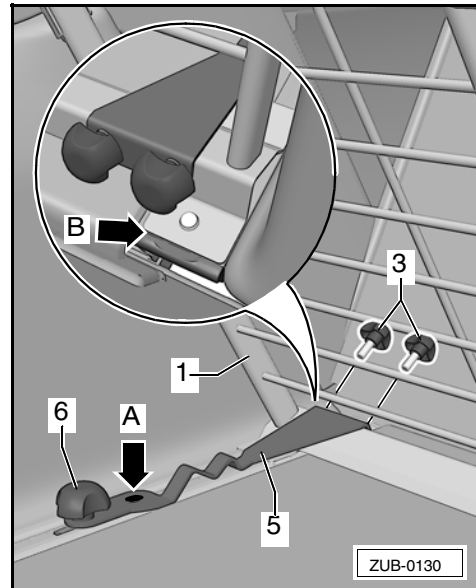


- Insert the appropriate counterhold tool -4- into the opening in the rail and push it forward using the retainer -5- -arrow-.
- Bring the retainer -5- into the installation position and screw it to the load guard -1- using the star grip screws (small head) -3-.



Aligning the load guard

- Align the load guard -1- in the direction of travel and position the front of it flush with the support rails -arrow B-.



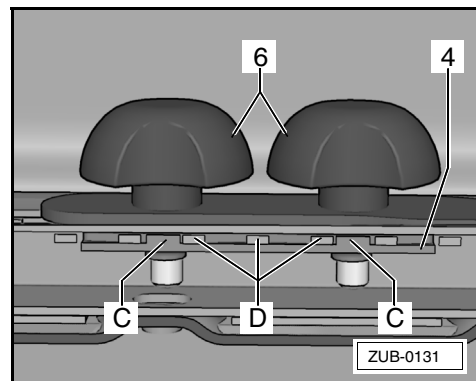
- Insert one screw -6- into each of the holes in the retainer -5- -arrow A- and tighten the screws -6- in this position.



WARNING!

Ensure that the catches -C- on the counterhold tool -4- are positioned between the catch studs -D- on the support rail. Pull the load guard back slightly if necessary.

- Tighten all screws on the upper and lower retainers.
- Fit the space separator if using one ⇒ "4 Fitting the space separator" on page 7.
- Fold the rear seat backrest back, making sure that the load guard does not rub against it.

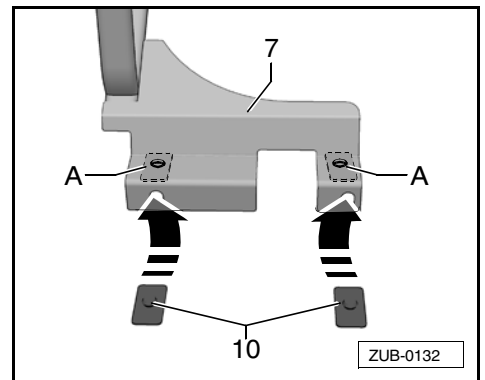


Note

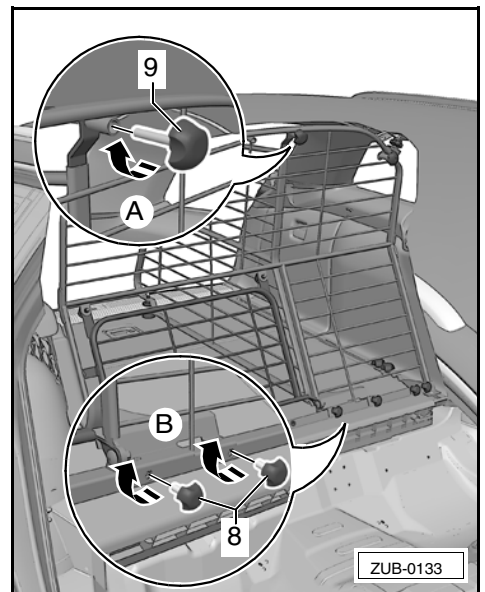
When the load guard is installed, the luggage compartment cover cannot be used.

4 Fitting the space separator

- Insert the protective contacts -10- into the holes -A- on the space separator -7- from underneath.



- You can choose to insert the space separator either in the centre, or in a 1/3–2/3 position.
- Loosely screw the space separator to the load guard at the top -A- using the 40 mm star grip screw (large head) -9-.
- Loosely screw the space separator to the load guard at the bottom -B- using the 20 mm star grip screw (small head) -8-.
- Tighten all screws.



Aligning the space separator:

- Check that the bottom strut of the space separator runs parallel to the luggage compartment floor.

If the bottom strut does not run parallel to the luggage compartment floor, unscrew the 20 mm star grip screws (large head) from the retainer and readjust the position of the load guard ⇒ Fig. "Aligning the load guard:" on page 6.

- Detach the lock nut -A-.
- Turn the support bracket -B- to align it in such a way that the space separator is given a slight bearing preload.
- Tighten the lock nut -C-.
- Fold the rear seat backrest back, making sure that the load guard does not rub against it.

